



CMS-SE Digital Signage Content Management Server Software

Highlights

- Resilient management software with intuitive user interface and accessible online help
- Update contents to a maximum of 1000 SMP players simultaneously*
- Offer flexible central scheduling based on once, daily, weekly, monthly, or yearly timescales
- Broadcast emergency messages with just two clicks
- Make rich Library and cloud resources freely available
- Secured playback environment with the support of a redundancy server
- Supported in virtual machines and cloud-based VMs such as Amazon AWS

*Depending on the type of license purchased

Intuitive User Interface

With a concise and clear design, CAYIN CMS server's new user interface allows you to handle the system in an instant and manage a great quantity of SMP players all at once. Moreover, help files are accessible through the help button on every page, navigating you through the learning process.



Efficient Management of Multiple Digital Signage Players

CMS-SE can control up to 1000 SMP players simultaneously* All SMP players connecting to the CMS server can be monitored through the server's web-based user interface in two view modes: icon and list view. Instead of configuring media players one by one, you can manage all of them at the same time. Administrators can also locate SMP players on Google Maps when SMP players activate the location/GPS function.



*Depending on the type of license purchased

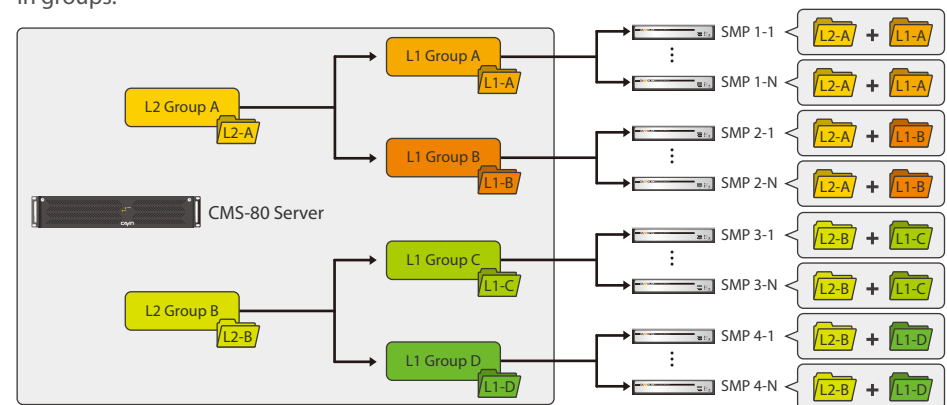
Ready-to-use Digital Signage Server

CMS-SE, a dedicated content management server software for digital signage networks, is easy to install, and ready-to-use on your hardware*. Not only will you enjoy a seamless user experience, but you can also manage the device remotely from your web browser.

*Please refer to Hardware requirement

Two-Layer Group Management

Administrators can create a maximum of two-layer groups to manage all SMP players systematically in two major aspects: content updates and task scheduling. CMS server will centrally control the playlists of all media players and synchronize content automatically to all players in groups.



Instant Alert Broadcasting

With just two clicks, you can activate the alert mechanism and broadcast emergency messages to a particular group or all groups. Emergency messages can be presented in many formats, such as texts, images, video, HTML/Flash, etc.

Redundancy (Failover) service

CMS-SE supports Redundancy (Failover) service, so you don't have accidents. Should a CMS server become offline or unavailable, the backup server will automatically divert the connection until the Major CMS is available again.

Rich Library and Cloud Resources

All necessary raw materials, including multimedia files, fonts, clocks, skins, programs, and playlists, can be accessed easily in the Library to assist you in organizing resources. Moreover, the system allows you to upload your desired fonts or even to download the latest templates from CAYIN's Cloud service for free to greatly enrich your content.



Multiple Ways to Update Content

Multimedia content can be updated by FTP and Network Neighborhood. You can also upload or delete files directly in the Library of CMS's user interface.

Secured Decentralized Management

Administrators can create multiple user accounts and authorize each account to possess different access rights. Usernames and passwords are required to access the user interface and media folder.



Intelligent Scheduling Management

You can insert a one-time event or arrange periodic tasks based on daily, weekly, monthly or yearly timescales for all SMP players in groups. Location-based scheduling is also doable to largely increase the flexibility. SMP players will playback multimedia content automatically based on the schedule assigned by the CMS server. CMS provides two viewing modes, calendar and timetable, for you to facilitate schedule management.



System Specifications

System software	CMS-SE v.10	
Access Control	User Accounts	• Create unlimited user accounts and authorize each account to possess different access rights
	Authentication	• Secure the access to Web Manager and Media Folder by usernames and passwords
Media Player Management	User Interface	• Provide two viewing modes, icon and tree view, listing all SMP players controlled by the CMS server
	Group Management	• Create a maximum of two-layer groups to organize and monitor the functioning status of SMP players
	Position	• Locate SMP players on Google Maps when SMP players activate the location function
Content Updates and Management	User Interface	• Manage files with two view modes, icon and list, and select files by the file filter
	Methods	• Upload files to CMS by FTP, Network Shares (Network Neighborhood), and CMS's Web Manager
	Capacity	• Update contents to max. 1000 SMP players simultaneously depending on the type of license purchased
	Sync Source	• Create folders and sub-folders in CMS to store and organize multimedia files
	Sync Destination	• Assign each group with one media folder and synchronize contents automatically to all SMP players based on a group basis
Central Scheduling	Playback	• View type: calendar or time table
		• Schedule mode: once, daily, weekly, monthly, yearly, and location
		• Playback type: able to edit scheduled tasks in the master schedule and take further steps to edit tasks for each zone in the sub-schedule for the Skin playback mode
	Emergency	• Arrange emergency messages with skin, program, playlist, video, image, or HTML/Flash
Volume	• Set schedules to adjust SMP's volume	
System Settings	Languages	• User Interface: Chinese (Traditional), Chinese (Simplified), English, French, German, Italian, Japanese, Polish, Portuguese, Russian, Spanish, Thai • Ticker Support: Unicode (UTF-8) compatible languages; able to use default fonts or upload TTF fonts ⁽¹⁾ to a specific group.
	Time	• Set system time manually or synchronize the clock from an NTP server

⁽¹⁾ CAYIN doesn't guarantee that SMP-NEO is compatible to all font files.

* Specifications subject to change without notice.

Remote Diagnostics and Maintenance	Hardware Monitor	• Check utilization of CPU, system DRAM, and hard drive
	Log	• Create log files recording the system status
	System Update	• Automatic notification of patch and firmware updates
	Self-repair	• Able to restart/shutdown the system and backup/restore configurations remotely
Resources	Cloud-based	• Provide templates and materials in Library and Online Resources
Web Manager	Recommended Browsers	• IE 9 or later, Chrome 35 or later, Firefox 28 or later

Hardware Requirement

Before you install CMS-SE, we recommend you verify that your hardware meets or exceeds the minimum system requirements for the product.

The system requirements in the table below apply to CMS-SE.

COMPONENT	• REQUIREMENT
Operating system	• Ubuntu 64 bits 16.04 LTS*
Computer and processor	• 2 GHz dual core processor
Memory	• 2 GB RAM
Hard disk (HDD or SSD)	• 550GB of available disk space
Other	• DVD drive or USB port for installation
	• High-speed Internet access for installation and cloud based services. Additional costs may apply.

* Ubuntu is a Debian-based Linux operating system, and a FOSS (free and open-source software) that operates under the GNU General Public License. For more information please contact our sales team.

System Structure

