

CMS-PERFORMANCE

Content Management Server



Powerful and reliable dedicated digital signage server for efficient media player management, content update, and central scheduling

Main Features

Media Player Management

- Provide a completed client list, detailing all media players controlled by this CMS server
- Locate SMP players on Google Maps when SMP players activate the location function
- Create media player groups for easy systematized management
- Remotely manage media players in two major aspects: content update and play-list scheduling

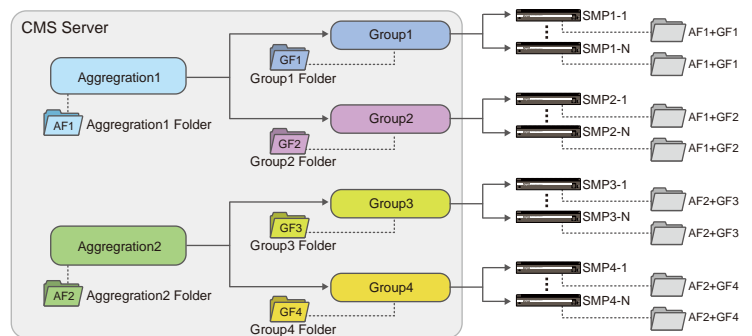


Access Control

- Create multiple user accounts and authorize each account to possess different access rights
- Secure the access to Web Manager and Media Folder by username and password

Content Update

- Update and synchronize content automatically to all media players in groups and aggregations (two-layer groups)
- Synchronize playlist, skin, font, and all multimedia contents in the Media Folder to media players
- Support to create folders and sub-folders to store and organize multimedia content
- Upload contents by FTP and Network Neighborhood
- Update contents to max. 250 players simultaneously



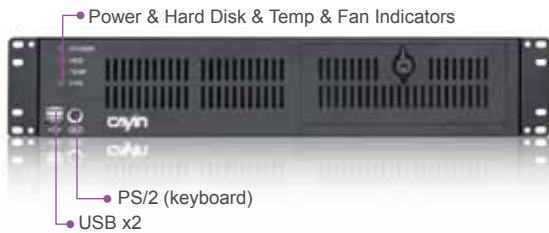
Central Scheduling

- Centrally control the playlists of all media players in groups and aggregations (two-layer groups)
- Edit playlists of video, image, ticker, skin, and volume for SMP-PRO series
- Edit playlists of video, web playlist, program, and volume for SMP-WEB series
- Schedule the playlist to minutes by weekly basis or schedule an one-time event
- Edit unlimited number of client groups
- Edit Emergency Scheduling (or Emergency Event): After you configure the Emergency Scheduling, you can trigger it anytime by CMS or by SuperMonitor 3. The Emergency Scheduling has the highest priority than any other scheduling type.

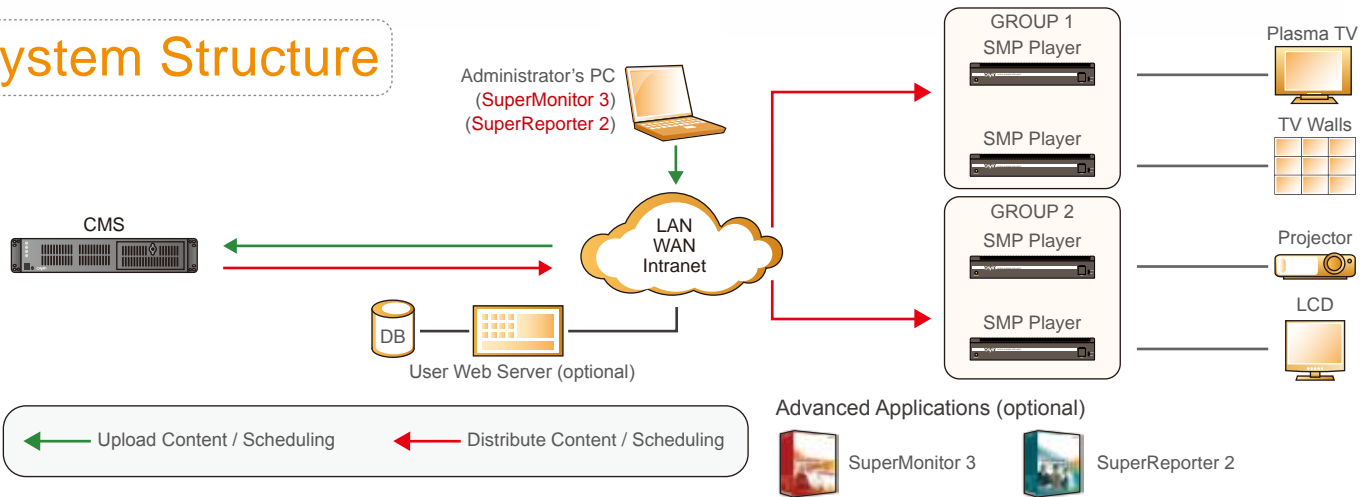
Web Manager



I/O Interface



System Structure



Specifications

System Specifications

Operating System	• Linux
User Account	• Create unlimited accounts
Content Update and Management	<ul style="list-style-type: none"> • Upload files by Windows® Network Neighborhood (shared folder) or FTP • Support to manage up to 250 SMP players at the same time • Manage clients in groups and aggregations (two-layer groups) • Assign a separate folder to each group
Central Scheduling	<ul style="list-style-type: none"> • Weekly and Play once (one-time event) • Multimedia (video) • Skin (only for SMP-PRO series) • Image slideshow (only for SMP-PRO series) • Ticker (only for SMP-PRO series) • Program (only for SMP-WEB series) • Web playlist (only for SMP-WEB series) • Volume • Emergency Event
Network	<ul style="list-style-type: none"> • Protocols: IP, TCP, UDP, ICMP, HTTP, DHCP, RTB, SMB/CIFS, FTP • 10/100/1000 Mbps Ethernet controller
Display	• VGA D-SUB

Hardware Specifications

Dimension	• 88 (H) x 482 (W) x 450 (D) mm; 2U Rack
Material	• Steel
Weight	• 13.5 Kg (May differ between models)
Color	• Black
Connector	<ul style="list-style-type: none"> • RJ-45 (Ethernet) x 1 • USB 2.0 x 2 • VGA D-SUB x 1 • PS/2 Keyboard/Mouse • Power connector x 1
Storage	• 3.5" IDE Hard-disk drive x 1 or 2 (Mirror or Strip); size by request
CDROM	• Internal slim CDROM

* Specifications subject to change without notice.



CAYIN Technology Co., Ltd.

8F-2, No. 577, Linsen N. Rd., Taipei City 104, Taiwan
 TEL: +886-2-25951005 FAX: +886-2-25951050
 sales@cayintech.com www.cayintech.com